

# INSTRUCTIONS FOR INSTALLING CASTERS

Catalog No. 9-22222 — Four Swivel Casters

Catalog No. 9-22221 — Two Swivel and Two Fixed Casters

For All Craftsman Power Tool Stands And Leg Sets

---

## GENERAL SAFETY INSTRUCTIONS FOR POWER TOOLS

- 1. KNOW YOUR POWER TOOL**  
Read and understand the owner's manual and labels affixed to the tool. Learn its application and limitations as well as the specific potential hazards peculiar to this tool.
- 2. GROUND ALL TOOLS**  
This tool is equipped with an approved 3-conductor cord and a 3-prong grounding type plug to fit the proper grounding type receptacle. The green conductor in the cord is the grounding wire. Never connect the green wire to a live terminal.
- 3. KEEP GUARDS IN PLACE**  
and in working order.
- 4. REMOVE ADJUSTING KEYS AND WRENCHES**  
Form habit of checking to see that keys and adjusting wrenches are removed from tool before turning it on.
- 5. KEEP WORK AREA CLEAN**  
Cluttered areas and benches invite accidents. Floor must not be slippery due to wax or sawdust.
- 6. AVOID DANGEROUS ENVIRONMENT**  
Don't use power tools in damp or wet locations or expose them to rain. Keep work area well lit. Provide adequate surrounding work space.
- 7. KEEP CHILDREN AWAY**  
All visitors should be kept a safe distance from work area.
- 8. MAKE WORKSHOP KID-PROOF**  
— with padlocks, master switches, or by removing starter keys.
- 9. DON'T FORCE TOOL**  
It will do the job better and safer at the rate for which it was designed.
- 10. USE RIGHT TOOL**  
Don't force tool or attachment to do a job it was not designed for.
- 11. WEAR PROPER APPAREL**  
No loose clothing, gloves, neckties or jewelry to get caught in moving parts. Nonslip footwear is recommended. Wear protective hair covering to contain long hair.
- 12. USE SAFETY GOGGLES**  
Safety goggles must comply with ANS Z87.1. Everyday eyeglasses only have impact resistant lenses, they are NOT safety glasses. Also use face or dust mask if cutting operation is dusty.
- 13. SECURE WORK**  
Use clamps or a vise to hold work when practical. It's safer than using your hand, frees both hands to operate tool.
- 14. DON'T OVERREACH**  
Keep proper footing and balance at all times.
- 15. MAINTAIN TOOLS WITH CARE**  
Keep tools sharp and clean for best and safest performance. Follow instructions for lubricating and changing accessories.
- 16. DISCONNECT TOOLS**  
before servicing, when changing accessories such as blades, bits, cutters, etc.
- 17. AVOID ACCIDENTAL STARTING**  
Make sure switch is in "OFF" position before plugging in.
- 18. USE RECOMMENDED ACCESSORIES**  
Consult the owner's manual for recommended accessories. Follow the instructions that accompany the accessories. The use of improper accessories may cause hazards.
- 19. NEVER STAND ON TOOL**  
Serious injury could occur if the tool is tipped or if the cutting tool is accidentally contacted. Do not store materials above or near the tool such that it is necessary to stand on the tool to reach them.
- 20. CHECK DAMAGED PARTS**  
Before further use of the tool, a guard or other part that is damaged should be carefully checked to ensure that it will operate properly and perform its intended function. Check for alignment of moving parts, binding of moving parts, breakage of parts, mounting, and any other conditions that may affect its operation. A guard or other part that is damaged should be properly repaired or replaced. If power cord is worn or cut, or damaged in any way, have it replaced immediately.
- 21. DIRECTION OF FEED**  
Feed work into a blade or cutter against the direction of rotation of the blade or cutter only.
- 22. NEVER LEAVE TOOL RUNNING UNATTENDED**  
Turn power off. Don't leave tool until it comes to a complete stop.

4270

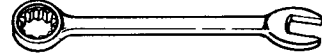


The operation of any power tool can result in foreign objects being thrown into the eyes, which can result in severe eye damage. Always wear safety goggles complying with ANSI Z87.1 (shown on Package) before commencing power tool operation. Safety Goggles are available at Sears retail or catalog stores.

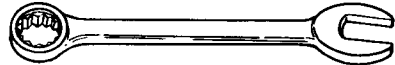
## UNPACKING AND CHECKING CONTENTS:

### TOOLS REQUIRED:

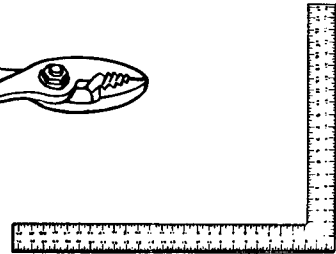
7/16" WRENCH



3/4" WRENCH



PLIERS



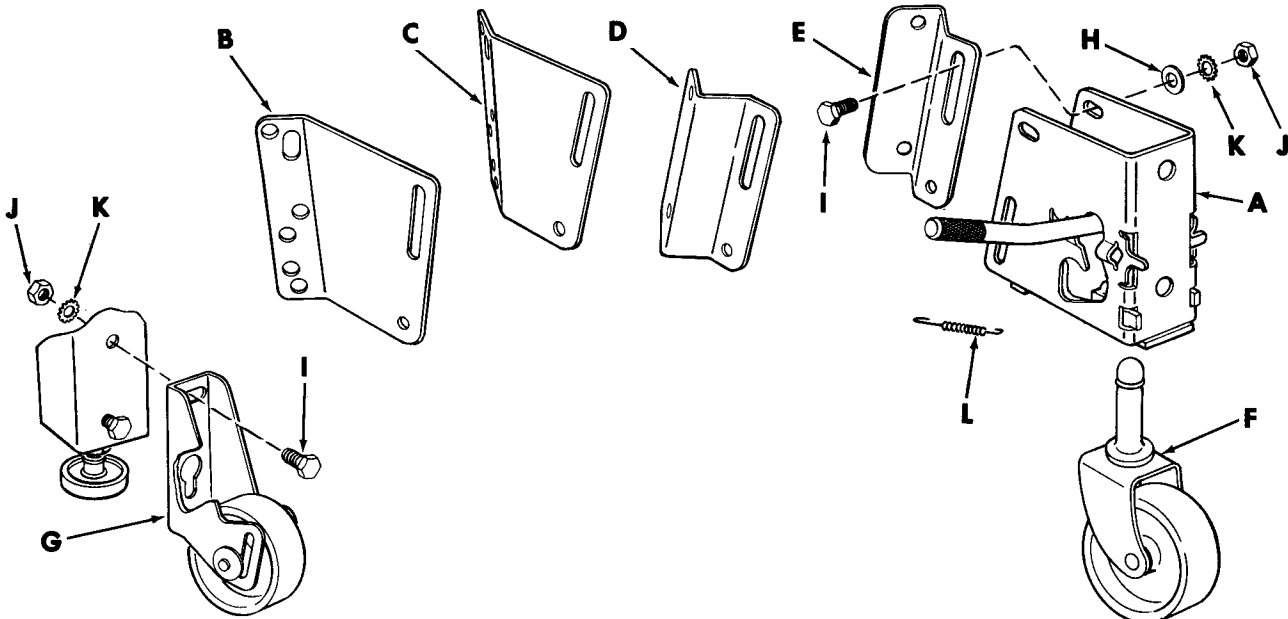
FRAMING SQUARE

Separate all parts from packing materials and check each one with the illustration and the list of Loose Parts to make certain all items are accounted for, before discarding any packing material.

If any parts are missing and/or damaged, do not attempt to install the casters, until the missing parts are obtained, and the damaged parts are replaced.

Key No.	Description	Qty.	
		9-22222	9-22221
A	Bracket Assembly .....	4	2
B	Bracket L.H. ....	4	2
C	Bracket, R.H. ....	4	2
D	Bracket, L.H. ....	4	2
E	Bracket, R.H. ....	4	2
F	Caster, Swivel .....	4	2

Key No.	Description	Qty.	
		9-22222	9-22221
G	Wheel Assembly .....		2
H	Washer, 17/64 x 7/16 x 1/32	24	12
I	Screw, Hex. HD. 1/4-20 x 1/2	32	20
J	Nut, Hex. 1/4-20 .....	32	20
K	Lockwasher, External 1/4	32	20
L	Spring .....	4	2



## INSTALLATION:

**NOTE:** Caster sets come with 2 different types of mounting brackets for the swivel casters. The leg sets use brackets "D" and "E" for inside mounting. All tool stands and cabinets use brackets "B" and "C" for outside mounting.

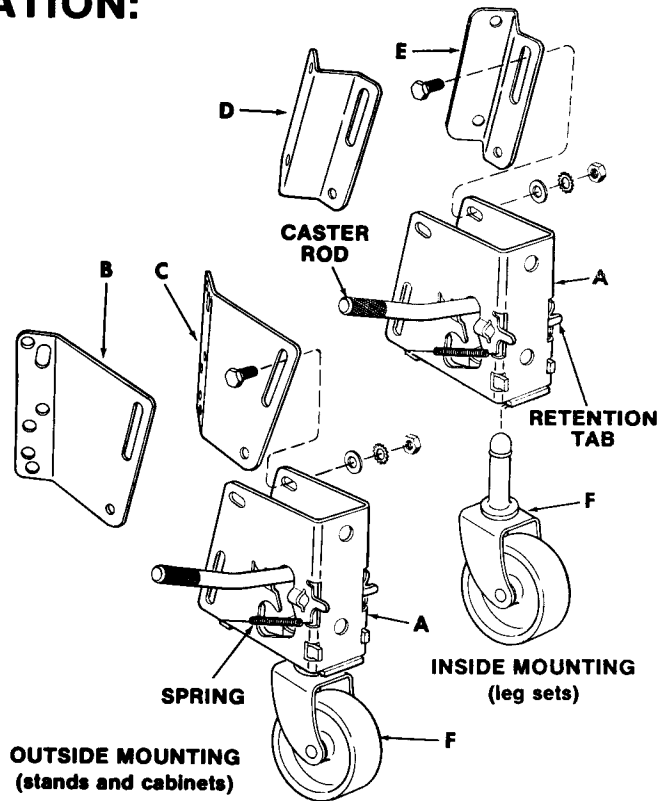
To relocate caster rod for better access, bend the pivot pin retention tab back with pliers to allow removal of the pin, two washers, and the caster rod. Reassemble on the opposite side of the bracket (notch in caster rod should be down), tapping in pivot pin until it seats, and finally bending the tab slightly to further trap the pin.

Spring will have to be assembled on side caster rod sticks out.

1. Attach the proper brackets to the swivel caster assemblies using four 1/4" hex bolts, washers and nuts and finger tighten. The unused brackets may be discarded after final assembly.
2. Press swivel caster stem into bracket assembly until retaining ring snaps into place. If stem does not press easily, rap the caster wheel with a piece of wood or mallet to snap the ring into place.
3. Attach spring as shown with long leg to bottom rear of assembly.

**NOTE:** When installing the Two Swivel and Two Fixed Casters Cat. No. 9-22221, install the swivel casters on the front and fixed casters on the rear.

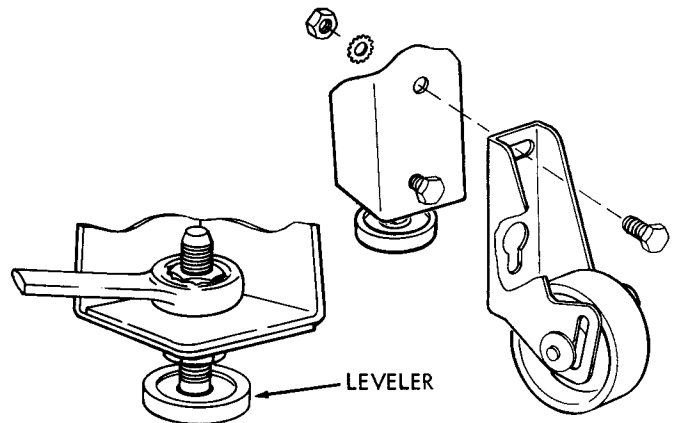
**Suggestions:** By mounting the fixed casters on the sides of your leg set, cabinet or stand it is possible to move the tools sideways instead of back and forth. This method works well on table saws with side extensions mounted.



If mounting casters on Craftsman stands #22213, #22214, #22216 adjustable feet may be in either of the top two positions.

### FIXED CASTER INSTALLATION

1. Adjust rear levelers to max. down position.
2. Insert bolt into bottom hole on back lower corner of tool and start nut on bolt but do not tighten.
3. Hook key hole of Fixed caster body over bolt and align slotted hole.
4. Insert bolt through slotted hole.
5. Align caster so that it is vertical. Screw on nut with lockwasher and wrench tighten both bolts.
6. Repeat installation procedure for other fixed casters.



### FIXED CASTER OPERATION:

**NOTE:** The fixed caster may be positioned for stationary or for mobile use. Adjust levelers so unit rests on levelers in the stationary position (Illustration A) and on wheels in the mobile position (Illustration B).

7. Level the tool by adjusting the front levelers.

#### CAUTION:

- A. Levelers must be positioned after installation of the casters so that when casters are elevated
  - (a.) the entire weight of the tool is supported by the leveling feet, and
  - (b.) the arm of a radial saw slopes slightly downward to the rear so the carriage will not roll forward due to gravity.

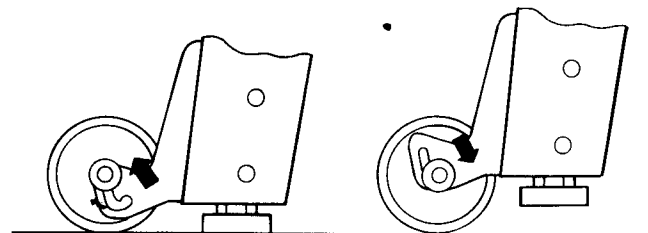


ILLUSTRATION A

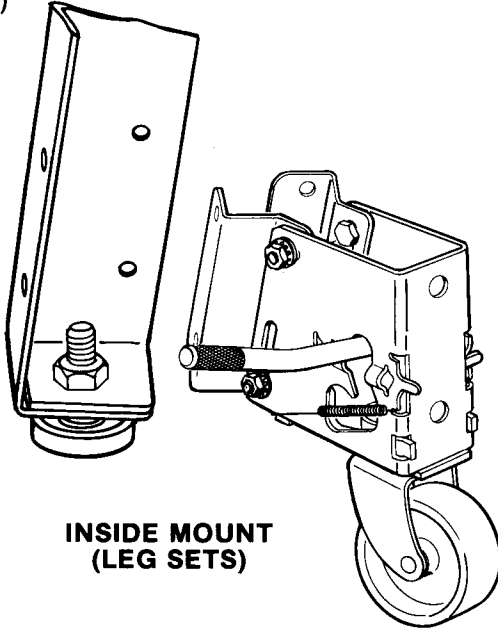
ILLUSTRATION B

- B. Never operate the tool with the casters in the down position — the entire weight of the tool must be supported by the levelers when operating the saw, jointer or other tool.

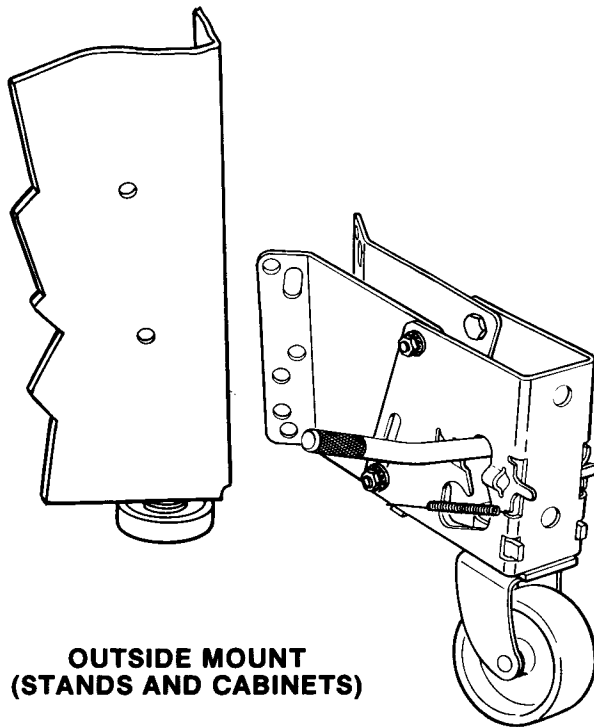
**NOTE:** The term "tool" as used in these instructions refers to the assembly of the power tool (saw, jointer, etc.) on its leg set, cabinet, or stand.

## SWIVEL CASTER INSTALLATION:

- With the fixed casters as in Illustration A, and a 1/8" thick piece of material under the swivel caster, place the swivel caster assembly in position on front of the tool and align holes (see illustration for either inside or outside mounting).
- Attach the caster assembly to the tool with four 1/4" hex bolts, lockwashers and nuts. (Wrench tighten.)



**INSIDE MOUNT  
(LEG SETS)**



**OUTSIDE MOUNT  
(STANDS AND CABINETS)**

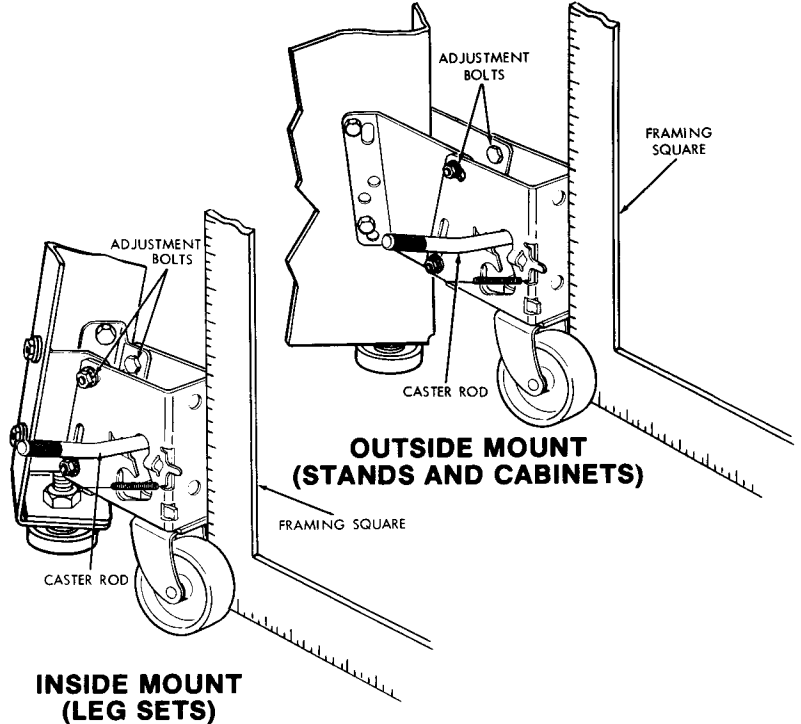
**NOTE:** Adjust the caster bracket assembly to be vertical using a framing square as shown. After the assembly is vertical, tighten the four adjustment bolts.

- Repeat installation procedure at other front location.

## SWIVEL CASTER OPERATION:

**NOTE:** The swivel casters are positioned for stationary or mobile use by simply stepping on Caster Rod and positioning Rod in or out of slot in Bracket Assembly.

If casters bind during operation, lubricate the stems with grease. Also if the caster does not swivel freely during operation, check the squareness of the caster bracket assembly to the floor, and readjust as necessary.



**OUTSIDE MOUNT  
(STANDS AND CABINETS)**

**INSIDE MOUNT  
(LEG SETS)**

**CAUTION:** Never operate the tool with casters in the down position — the entire weight of the tool must be supported by the levelers when operating the saw, jointer, or other tool.

**Sold by SEARS, ROEBUCK AND CO., Chicago, IL. 60684 U.S.A.**